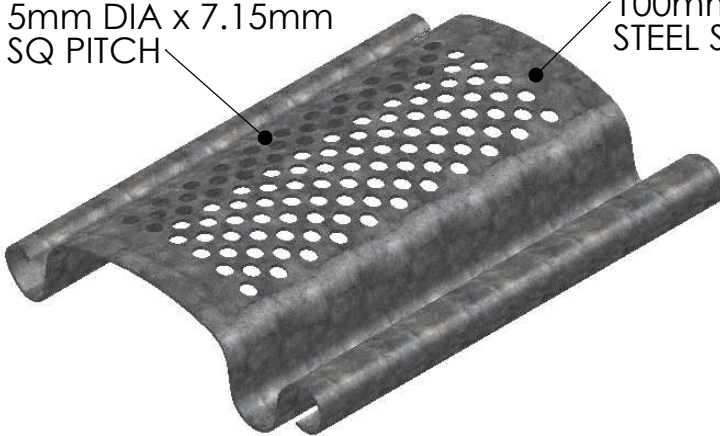


5mm DIA x 7.15mm
 SQ PITCH

100mm PERFORATED
 STEEL SLAT



100mm SLOTTED SLAT

130 x 39 x 80mm SLOT



100mm STEEL 'HI STRENGTH' SLAT PROFILE

SCALE
 NTS

AUSTRAL MONSOON ENTERPRISES PTY LTD
 ATF 'THE ANSA TRUST' TRADING AS
ANSA DOORS

CONFIDENTIAL NOTE: This drawing and its designs, specifications and engineering information disclosed hereon are the property of ANSA DOORS and are not to be disseminated or reproduced without express written consent. The drawing is loaned in confidence and then only for consideration of the matter hereon. In accepting loan of this drawing, the recipient agrees to keep it and the matter disclosed hereon in confidence and not to use nor permit their use in any way detrimental to ANSA DOORS.

DRAWN
 H.P.LY

71-73 Maffra Street P.O Box 201
 Coolaroo, Victoria 3048 Dallas, Victoria 3047
 Australia Australia

Phone: (03) 9302 3366 Fax: (03) 9302 3966

DATE
 25/11/10

DWG No:
 ANSA-ST0005A