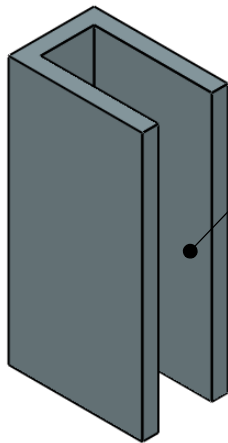
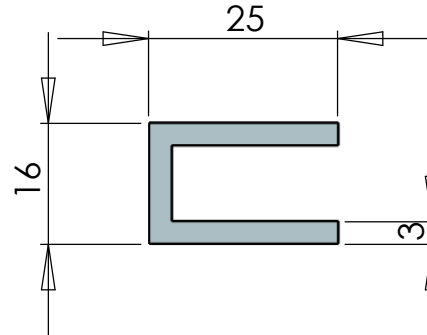


1EA ROLLER SHUTTER STANDARD GUIDE

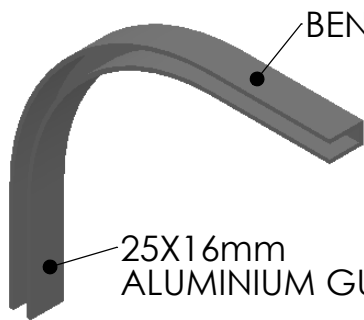


25X16MM ALUMINIUM GUIDE



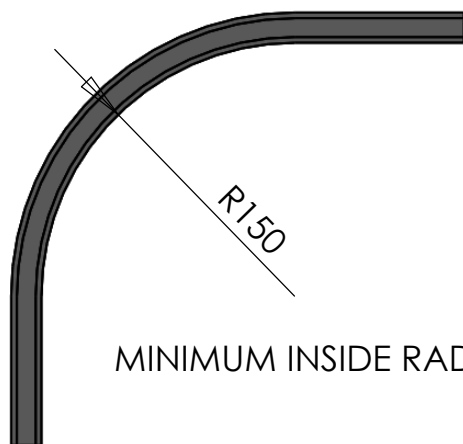
SLIDING SHUTTER GUIDE OPTIONS

BEND GUIDE OPTION



BEND GUIDE

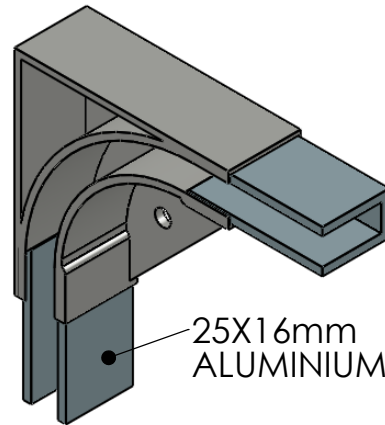
25X16mm ALUMINIUM GUIDE



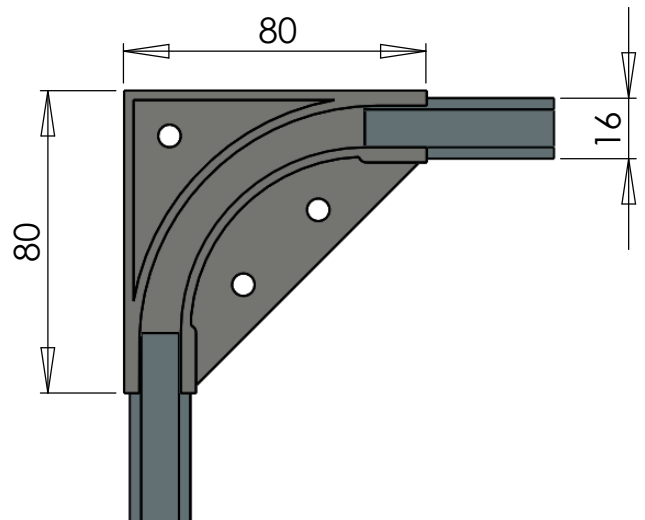
R150

MINIMUM INSIDE RADIUS

NYLON CORNER OPTION



25X16mm ALUMINIUM GUIDE



1EA ALUMINIUM SHUTTER GUIDE OPTIONS

CONFIDENTIAL NOTE: This drawing and its designs, specifications and engineering information disclosed hereon are the property of ANSA DOORS and are not to be disseminated or reproduced without express written consent. The drawing is loaned in confidence and then only for consideration of the matter hereon. In accepting loan of this drawing, the recipient agrees to keep it and the matter disclosed hereon in confidence and not to use nor permit their use in any way detrimental to ANSA DOORS.

SCALE
 NTS

AUSTRAL MONSOON ENTERPRISES PTY LTD
 ATF 'THE ANSA TRUST' TRADING AS
ANSA DOORS

DRAWN
 H.P.L.Y

71-73 Maffra Street P.O Box 201
 Coolaroo, Victoria 3048 Dallas, Victoria 3047
 Australia Australia
 Phone: (03) 9302 3366 Fax: (03) 9302 3966

DATE
 28/01/11

DWG No:
 ANSA-TS0001C